

Crossed Roller Stages ▶ X-Axis and XY-Axis ▶ Aluminum Alloy

Crossed Roller Stages | 25*25

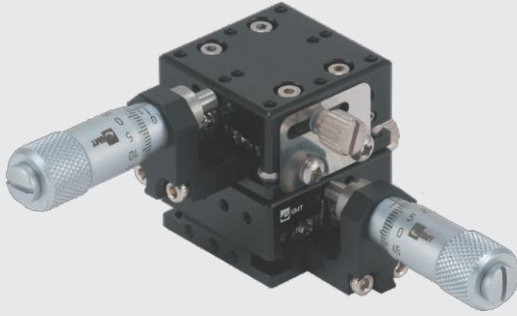
MX25-AC



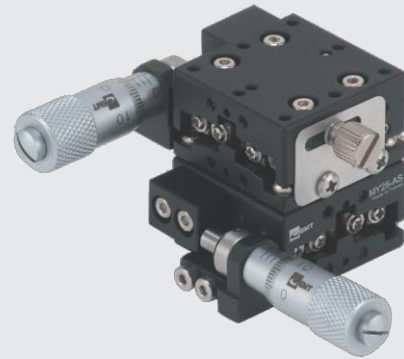
MX25-AS



MY25-AC



MY25-AS



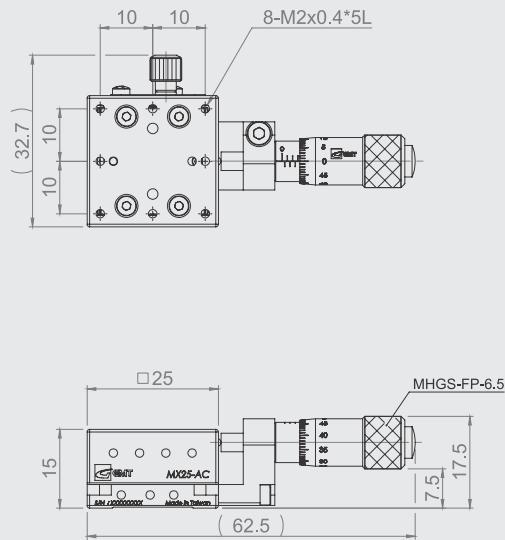
Unit : mm

Model No.	Table Size	Axis	Feed Position	Travel Stroke	Micrometer Minimum Reading (μ m)	Straightness Accuracy (μ m)	Allowable Loading (kgf)	Weight (kg)	Material	Surface Finish
MX25-AC	25*25	X-axis	Central	± 3.2	10	3	1	0.04	Aluminum alloy	Black anodized
MX25-AS			Side							
MY25-AC		XY-axis	Central					0.08		
MY25-AS			Side							

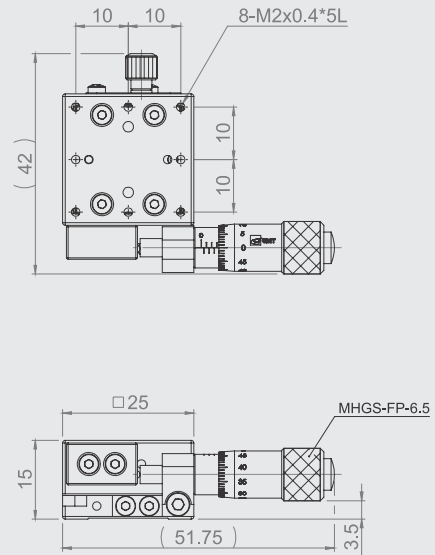
Crossed Roller Stages ► X-Axis and XY-Axis ► Aluminum Alloy

Crossed Roller Stages | 25*25

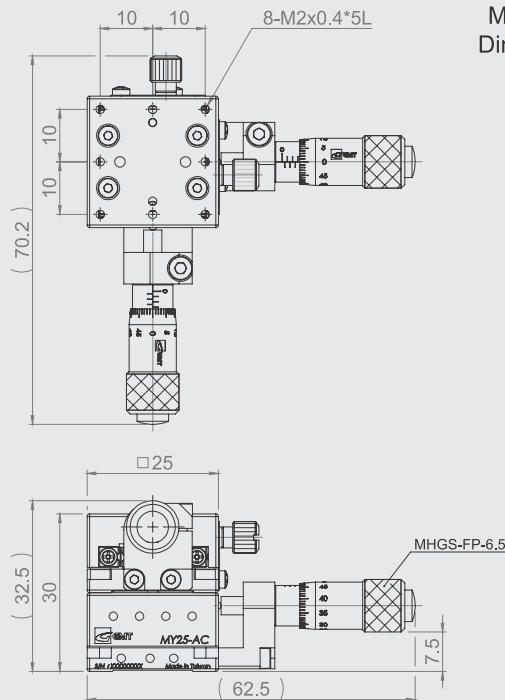
MX25-AC



MX25-AS



MY25-AC



MY25-AS

